



# User Manual

Great care has gone into the manufacture of this product and it should therefore provide you with years of good service when used properly. In the event of product failure within its intended use over the course of the first 3 years after date of purchase, we will remedy the problem as quickly as possible once it has been brought to our attention. In the unlikely event of such an occurrence, or if you require any information about the product, please contact us via our helpline support services, details of which are to be found both in this manual and on the product itself.



**PRODUCED IN CHINA FOR:**  
ALDI STORES LTD. PO BOX 26, ATHERSTONE  
WARWICKSHIRE, CV9 2SH

ALDI STORES (IRELAND) LTD.  
PO BOX 726, NAAS, CO. KILDARE  
Visit us at [www.aldi.com](http://www.aldi.com)

#### AFTER SALES SUPPORT

814248



GB

03456939277

IE

1890882374



[customerservice@b-gr8.co.uk](mailto:customerservice@b-gr8.co.uk)

MODEL:  
FS-AHS 20

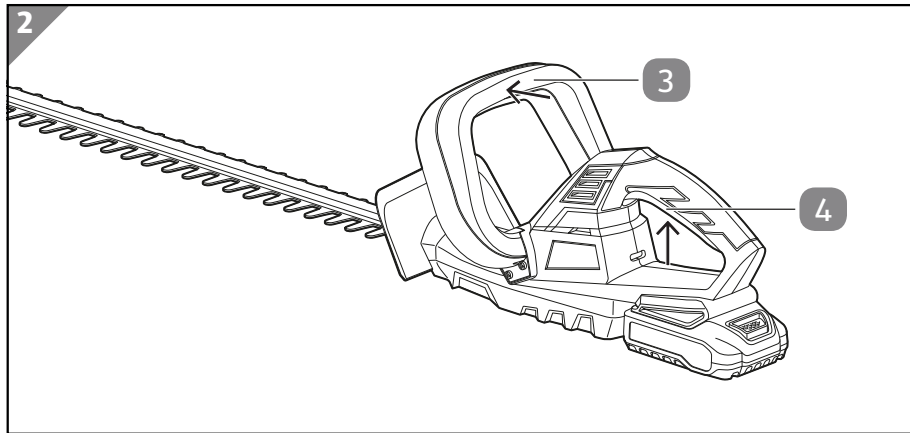
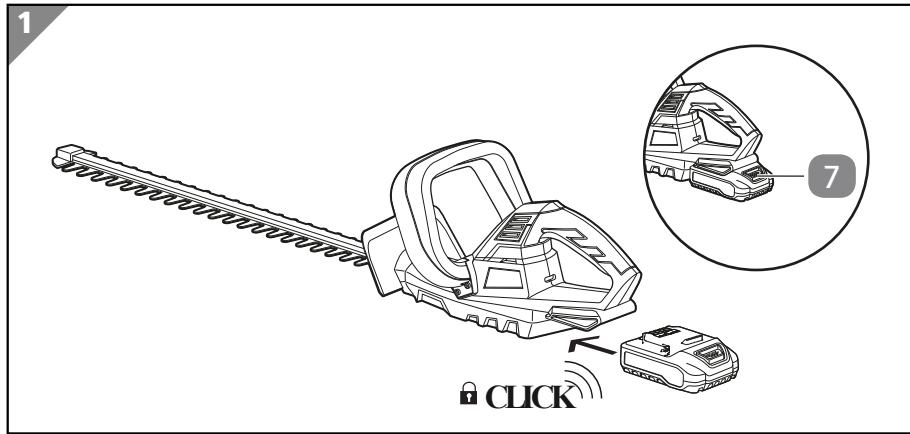
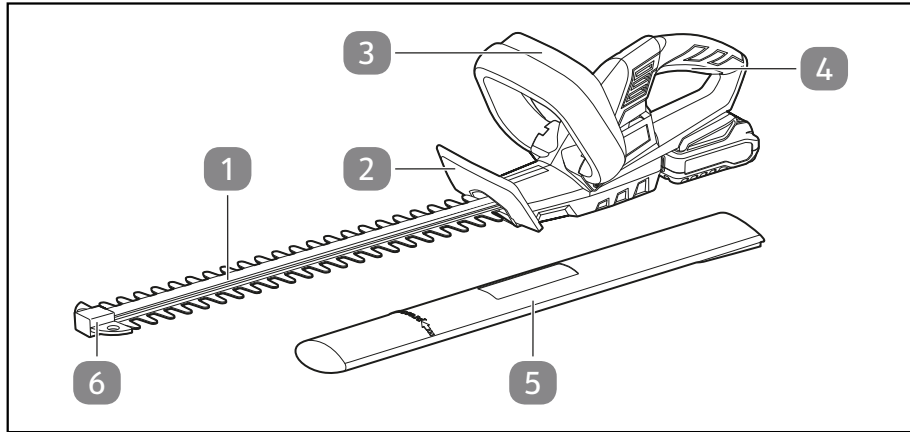
05/2022

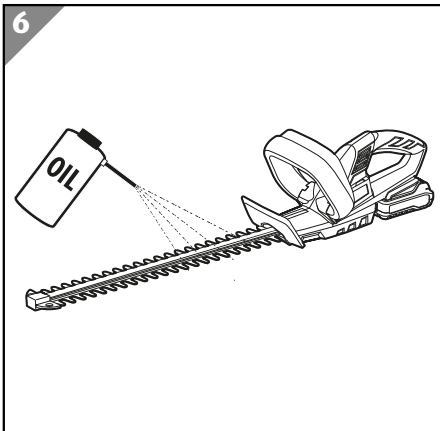
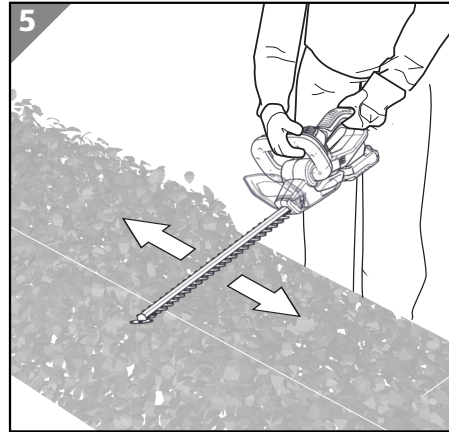
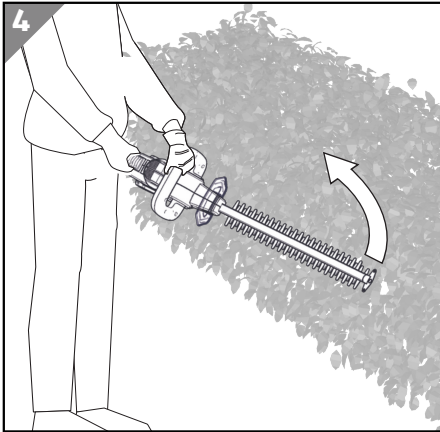
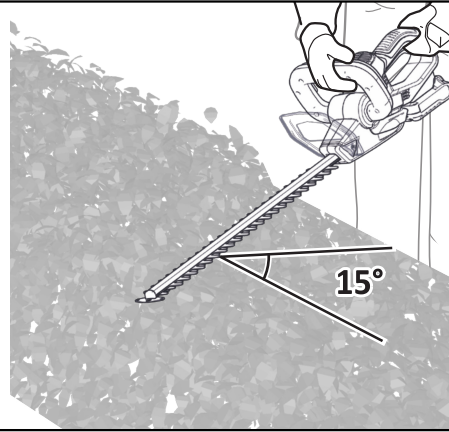
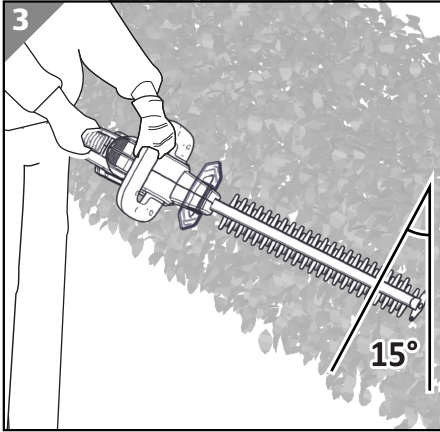
**3**  
YEAR  
WARRANTY

## FERREX® CORDLESS HEDGE TRIMMER



Original User Manual





## Package contents/device components

- 1 Blade
- 2 Hand protection
- 3 Handle grip with switch
- 4 Handle with switch
- 5 Blade protection
- 6 Shock protection
- 7 Release for battery  
(battery not included in the delivery)

**The battery and the charger are not included in the delivery. These must be purchased separately.**

**The device can be operated with the 20 V battery pack or the 20/40 V battery pack from Active Energy.**

Only use the rechargeable batteries stated in the section "Technical data"; do not operate the device with batteries from other manufacturers.

## Table of content

<b>Overview</b> .....	<b>2</b>
<b>Package contents/device components</b> .....	<b>4</b>
<b>General information</b> .....	<b>6</b>
Reading and storing the user manual.....	6
Proper use.....	6
<b>Explanation of symbols</b> .....	<b>6</b>
<b>Safety</b> .....	<b>8</b>
Explanation of instructions.....	8
General safety notes for power tools.....	8
Residual risks.....	13
<b>Starting the device</b> .....	<b>13</b>
Check the device and scope of delivery.....	13
Inserting/removing the rechargeable battery.....	14
<b>Operation</b> .....	<b>14</b>
Switching on/off.....	16
Work instructions.....	16
What to do if the blade jams.....	16
<b>Inspection</b> .....	<b>16</b>
<b>Cleaning and maintenance</b> .....	<b>17</b>
<b>Transport and storage</b> .....	<b>17</b>
<b>Technical data</b> .....	<b>18</b>
Battery and charger information (not included in the scope of delivery).....	18
<b>Declaration of conformity</b> .....	<b>20</b>
<b>Disposal</b> .....	<b>21</b>
Disposing of packaging.....	21
Dispose of old electrical device.....	21

## General information

### Reading and storing the user manual



This user manual is part of the cordless hedge trimmer (hereinafter also called "device"). It contains important information on how to set up and use the device.

Before using the device, read the operating manual carefully, in particular the safety instructions. Failure to follow this operating manual may lead to severe injuries or product damage.

This user manual is based on the standards and regulations that are valid within the European Union. Outside the EU, please also note the country-specific directives and laws.

Keep this operating manual for future reference. If you pass this device on to a third party, you must also supply this operating manual.

### Proper use

The device must only be used to cut hedges and bushes in private homes and gardens.

Please note that according to the nature conservation law, hedges, "living" fences, bushes and other shrubs must not be trimmed or cut down in the period from March 1st to September 30th. However, gentle shaping or cutting to remove new plant growth is permitted at any time.

This device is intended for private use only and is not suitable for commercial use. Use the device only as described in this operating manual. Any other use is improper and may lead to product damage or even personal injury. This device is not a toy.

The manufacturer or retailer assume no liability for damage caused by improper or incorrect use.

### Explanation of symbols

The following symbols and signal words are used in this user manual, on the device or on the packaging.



General warning sign.



Read the operating manual.



This symbol provides you with useful additional information on handling and use.



Wear protective goggles.



Wear hearing protection.



Wear protective gloves.



Wear safety shoes.



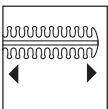
Remove the removable battery prior to all adjustment and cleaning work or maintenance on the device.



Warning! Cutting injuries.



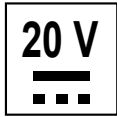
Do not use the device in the rain.



Indicates the cutting length.

## Explanation of symbols

---



Exchangeable battery voltage  
Direct current



Declaration of conformity (see chapter "Declaration of conformity"):  
Products marked with this symbol meet all the applicable Community regulations of the European Economic Area.



The symbol shows the maximum sound power level  $L_{WA}$ .

## Safety

### Explanation of instructions

The following signal words are used in this user manual.

**⚠ HAZARD!**

This signal symbol/word denotes a hazard with a high risk level that will cause death or severe injury if it is not avoided.

**⚠ WARNING!**

This signal symbol/word denotes a hazard with an average risk level that could lead to death or severe injury if it is not avoided.

**⚠ CAUTION!**

This signal symbol/word denotes a hazard with a low risk level that could lead to mild or moderate injury if it is not avoided.

**NOTE!**

This signal word provides a warning about potential material damage.

### General safety notes for power tools

**⚠ WARNING!**

**Read all safety notes, instructions, illustrations and technical data provided with this power tool.** Failure to follow the instructions below may result in electric shock, fire and/or serious injury.

**Keep all safety notes and instructions for future reference.**

The term "power tool" used in the safety notes refers to both mains-operated power tools (with power cord) and battery-powered power tools (without power cord).



### Workplace safety

- **Keep your work area tidy and well lit.** *Clutter or unlit work areas can lead to accidents.*
- **Do not operate power tools in explosive atmospheres, such as in the presence of flammable liquids, gases or dust.** *Power tools create sparks which may ignite the dust or fumes.*
- **Keep children and bystanders away while operating a power tool.** *Distractions can cause you to lose control.*

### Electrical safety

- **Avoid body contact with earthed or grounded surfaces, such as pipes, radiators, ranges and refrigerators.** *There is an increased risk of electric shock if your body is earthed or grounded.*
- **Do not expose power tools to rain or wet conditions.** *Water entering a power tool will increase the risk of electric shock.*

### Personal safety

- **Stay alert, watch what you are doing and use common sense when operating a power tool. Do not use a power tool while you are tired or under the influence of drugs, alcohol or medication.** *A moment of inattention while operating power tools may result in serious personal injury.*
- **Use personal protective equipment. Always wear eye protection.** *Protective equipment such as a dust mask, non-skid safety shoes, hard hat or hearing protection used for appropriate conditions will reduce personal injuries.*
- **Prevent unintentional starting. Ensure the switch is in the off-position before connecting to power source and/or battery pack, picking up or carrying the tool.** *Carrying power tools with your finger on the switch or energising power tools that have the switch on invites accidents.*
- **Remove any adjusting key or wrench before turning the power tool on.** *A wrench or a key left attached to a rotating part of the power tool may result in personal injury.*
- **Do not overreach. Keep proper footing and balance at all times.** *This enables better control of the power tool in unexpected situations.*
- **Dress properly. Do not wear loose clothing or jewellery. Keep your hair and clothing away from moving parts.** *Loose clothes, jewellery or long hair can be caught in moving parts.*
- **Do not let familiarity gained from frequent use of tools allow you to become complacent and ignore tool safety principles.** *A careless action can cause severe injury within a fraction of a second.*

### Using and handling the power tool

- **Do not overload the power tool. Use the appropriate power tool for your work.** *The right power tool allows you to work better and safer in the specified power range.*
- **Do not use any power tool that has a defective switch.** *Power tools that can no longer be switched on or off are dangerous and must be repaired.*
- **Disconnect the plug from the socket and/or remove any removable batteries before making adjustments to the device, changing any insert tool parts, or putting the power tool away.** *This precaution helps prevent unintentional starting of the power tool.*
- **Keep power tools out of the reach of children when not in use. Whoever is not familiar with the power tool or who has not read these instructions should not be allowed to use it.** *Power tools are dangerous if used by inexperienced persons.*
- **Power tools and insert tools must be subject to careful maintenance. Check whether moving parts function properly without jamming, and whether parts are broken or damaged to such an extent that they impair the functions of the power tool. Have damaged parts repaired before using the power tool.** *Many accidents happen due to poorly maintained power tools.*
- **Keep cutting tools sharp and clean.** *Carefully maintained cutting tools with sharp blades tend to jam less and are easier to guide.*
- **Use power tools, insert tools, insert tool parts, etc. according to these instructions. While doing so, take into account the working conditions and the activity to be performed.** *The use of power tools for applications other than those intended can lead to dangerous situations.*
- **Keep handles and grip surfaces dry, clean and free of oil and grease.** *Slippery handles and grip surfaces hinder safe operation and control of the power tool in unforeseen situations.*

### Using and handling the cordless tool

- **Only charge the batteries using chargers recommended by the manufacturer.** *Chargers suitable for a particular type of battery may present a fire hazard if used with other batteries.*
- **Only use purposely provided batteries in the power tools.** *The use of other batteries may lead to injuries and present a fire hazard.*
- **Keep unused batteries away from paper clips, coins, keys, nails, screws, or other small metal objects that could short the contacts.** *A short circuit between the battery contacts can cause burns or fire.*
- **If used incorrectly, fluid may leak from the battery. Avoid touching it. In case of accidental contact, rinse with water. If the fluid gets into your eyes,**

**seek additional medical attention.** *Leaking battery fluid may cause skin irritation or burns.*

- **Do not use a damaged or modified battery.** *Damaged or modified batteries may behave unpredictably and cause fire, explosion or injury.*
- **Do not expose batteries to fire or excessive temperatures.** *Fire or temperatures above 130 °C may cause an explosion.*
- **Follow all charging instructions and never charge the battery or cordless tool outside the temperature range specified in the operating manual.** *Incorrect charging or charging outside the permitted temperature range can destroy the battery and aggravate the fire hazard.*

### Service

- **Have your power tool serviced by a qualified repair person using only identical replacement parts.** *This will ensure that the safety of the power tool is maintained.*
- **Never service damaged battery packs.** *Service of battery packs should only be performed by the manufacturer or authorized service providers.*

### Safety notes for hedge trimmers

- **Keep all parts of the body away from the blade. Do not remove cut material or hold material to be cut when blades are moving.** *Blades continue to move after the switch is turned off. A moment of inattention while operating the hedge trimmer may result in serious personal injury.*
- **Carry the hedge trimmer by the handle with the blade stopped and taking care not to operate any power switch.** *Proper carrying of the hedge trimmer will decrease the risk of inadvertent starting and resultant personal injury from the blades.*
- **When transporting or storing the hedge trimmer, always fit the blade cover.** *Proper handling of the hedge trimmer will decrease the risk of personal injury from the blades.*
- **When clearing jammed material or servicing the unit, make sure all power switches are off and the battery pack is removed or disconnected.** *Unexpected actuation of the hedge trimmer while clearing jammed material or servicing may result in serious personal injury.*
- **Hold the hedge trimmer by insulated gripping surfaces only, because the blade may contact hidden wiring.** *Blades contacting a "live" wire may make exposed metal parts of the hedge trimmer "live" and could give the operator an electric shock.*

## Safety

---

- **Keep all power cords and cables away from cutting area.** Power cords or cables may be hidden in hedges or bushes and can be accidentally cut by the blade.
- **Do not use the hedge trimmer in bad weather conditions, especially when there is a risk of lightning.** This decreases the risk of being struck by lightning.
- **Before starting work, search the hedge for hidden objects, e.g. wire, etc.** This will prevent damage to the equipment.
- **Hold the hedge trimmer correctly, e.g. with both hands on the hand grips if it has two of them.** Injuries may occur if you lose control over the device.
- **Wear suitable clothing and work gloves when working with the device. Never touch or pick up the device by the cutting blade.** Injuries may occur from contact with the cutting blade.
- The hedge trimmer is designed for work during which the user stands on the ground and not on a ladder or other unstable platform.
- Do not run with the device – just walk.

### **WARNING!**

### **Risk of injury for persons with impaired mobility or lack of experience and expertise!**

Improper handling of the device can lead to severe injuries or damage to the device.

- Do not leave the device unattended when in use.
- Do not allow others to handle the device until you have read and understood this operating manual or until you have been instructed about its intended use and the associated risks.
- Never let children or persons with impaired physical, sensory or mental abilities, or lack of experience or knowledge, or persons unfamiliar with the device's operating instructions use the device.
- The minimum age of the user might be prescribed by local or national regulations.

**▲ WARNING!****Risk of injury!**

Improper handling may pose a risk of injury.

- Do not use the device to cut grass, hard twigs and wood or to chop up compostable materials.
- The blade is sharp. Wear protective gloves and be especially careful when working near the blade.
- Do not operate the device when other persons or animals are around.
- Do not operate the device when impaired (e.g.: under the influence of drugs, alcohol, medication or if tired).
- Wear sturdy shoes, long trousers and hearing protection.
- Wait until the blade has stopped moving before removing any blockage or clogging and carrying out any other work on the device.

**Residual risks**

Despite proper use, hidden residual risks cannot be completely excluded.

Depending on the type of device, the following risks may occur:

Health risks which may result from vibration emissions if the device is used for a long period of time or is not properly used or maintained.

Injuries and material damage, which are caused by the moving blade or breaking tool heads.

**Starting the device****Check the device and scope of delivery****▲ WARNING!****Danger of suffocation!**

Children may become tangled up in the packaging film when playing with it and suffocate.

- Do not let children play with the packaging film.

**NOTE!**

**Risk of damage!**

If opening the packaging with a sharp knife or other pointed objects, careless handling can damage the device.

- Therefore, be very careful when opening.
- 1. With both hands, lift the device out of the packaging.
- 2. Check that the delivery is complete (see chapter "Package contents/device components").
- 3. Inspect the device and individual parts for damage. Do not operate a damaged device; instead, contact the manufacturer via the service center listed on the warranty card.

**Inserting/removing the rechargeable battery**

**The battery and the charger are not included in the delivery. These must be purchased separately.**

**The device can be operated with the 20 V battery pack or the 20/40 V battery pack from Active Energy.**

Only use the rechargeable batteries stated in the section "Technical data"; do not operate the device with batteries from other manufacturers.

1. To insert the battery, slide it in the direction of the arrow into the battery holder and make sure it snaps into place (see **Fig. 1**).
2. Removing the battery from the device: press and hold the battery latch **7** (see **Fig. 1**).

**Operation**

**⚠ WARNING!**

**This power tool generates an electromagnetic field during operation.**

Under certain circumstances, this field may affect active or passive medical implants.

- To reduce the risk of serious or fatal injury, we recommend that individuals with medical implants consult their physician and the manufacturer of the medical implant before operating the machine.

**▲ WARNING!****Risk of injury!**

Improper use can lead to injuries.

- Do not use the device to cut grass, hard twigs and wood or to chop up compostable materials.

**▲ CAUTION!****Health hazard!**

You risk damage to your health resulting from circular hand-arm movements if you use the device over longer periods or if it is not properly serviced.

- If you regularly operate the device for long periods of time, pay attention to your fingers and the bones in your hand. Consult a doctor immediately if you experience any adverse symptoms.
- Keep your hands warm while working and take regular breaks.

**▲ CAUTION!**

**A longer stay in the immediate vicinity of the running unit may cause hearing damage.**

- Wear ear protectors.
- When working with the device, a certain level of noise cannot be avoided. Noisy work should be scheduled for hours, during which it is allowed by statute or other local regulations. Adhere to any applicable rest times and limit your working time to the necessary minimum time. For your personal protection and the protection of people nearby, suitable hearing protection must be worn.

## Switching on/off

The hedge trimmer is equipped with a bi-manual safety switch. It only functions when you press the switch on the handle grip **3** with one hand, and the switch on the handle **4** with the other (see **Fig. 2**).

As soon as you let go of one of the switches, the device switches off. Wait until the blades have come to a standstill before putting the device down.

**Warning!** If the device starts to vibrate abnormally, switch the motor off and locate the cause immediately. Vibrations are generally a warning before the device malfunctions.

Stop the device and disconnect it from the power supply:

- whenever you step away from the device;
- before remedying blockages;
- before checking, cleaning or working on the device;
- after contact with a foreign object to check the device for damage;

## Work instructions

- You will achieve the best cutting result when guiding the hedge trimmer so that the blade teeth are aligned at an angle of roughly 15° to the hedge (see **Fig. 3**)
- The sides of a hedge are cut in sweeping motions from the bottom to the top (see **Fig. 4**)
- The double-sided, counter-directional blades allow cutting in both directions (see **Fig. 5**).

## What to do if the blade jams

1. Stop the device.
2. Remove the battery.
3. Remove the stuck material from the blade (wear gloves to prevent injuries).

## Inspection

**⚠ WARNING!**

### Risk of injury from sharp blades

- Use protective gloves.



Before each use check that:

- The device is undamaged.
- The operating controls are undamaged.
- The accessories are in perfect condition.
- The vents are clear and clean.

Do not operate a damaged device or accessory. Instead, get it inspected and repaired by the manufacturer or their customer service or a similarly qualified person.

## Cleaning and maintenance

### HAZARD!

- Remove the battery pack before starting any adjustment, cleaning and maintenance work on the device.
- Wait until all rotating parts have stopped and the appliance has cooled down.

Always keep the device clean, especially the vents. Never hose down the body of the device! Do not clean the device and its components with solvents, flammable or toxic liquids. Only use a damp cloth for cleaning.

Clean and lubricate the blades at regular intervals to keep them in top condition. Remove deposits with a brush and apply a thin coating of oil (see **Fig. 6**).

Before starting the device, always check that all screw and plug-type fittings and safety devices fit tightly and correctly, and make sure that all moving parts can move freely.

Only use original accessories and spare parts. Using spare parts by other manufacturers can result in accidents for the user. The manufacturer is not liable for any resulting damage.

Please contact our service department if you need any accessories or spare parts.

Repairs and work not described in this manual must only be carried out by qualified experts.

Only a well-serviced and maintained device is a satisfactory tool. Insufficient maintenance and servicing can lead to unforeseen accidents and injuries.

## Transport and storage

Carry the hedge trimmer by the handle when the blade has stopped. When transporting or storing the hedge trimmer, always put the protective cover on it.

Store the device in a dry and frost-free place.

## Transport and storage

Clean the device before storage. Store the device and its accessories in a dark, dry and frost-free place out of the reach of children. The optimum storage temperature is between 5 °C and 30 °C.

## Technical data

<b>Cordless hedge trimmer</b>	<b>FS-AHS 20</b>
Battery voltage	20 V ===
Cutting length	510 mm
Weight without battery	2.1 kg
<b>Noise information</b> measured in acc. with <sup>1)</sup> EN 62841-1, EN 62841-4-2; <sup>2)</sup> 2000/14/ EG; correction value K = 3 dB (A)	
Sound pressure level $L_{pA}$ <sup>1)</sup>	81.0 dB (A)
Sound power level $L_{WA}$ <sup>2)</sup>	92 dB (A)
<b>Vibration information</b> total vibration value (vector sum of three directions) determined in accordance with EN 62841-1, EN 62841-4-2, correction value K = 1.5 m/s <sup>2</sup>	
Vibration emission value $a_{h,1}$ :	<2.995 m/s <sup>2</sup>

## Battery and charger information (not included in the scope of delivery)

**Only use the device with Active Energy® batteries and chargers that meet the following technical specifications:**

### Suitable for Active Energy®

<b>Batteries of the type:</b>	20 V === 36 Wh / Li-ion
<b>Models:</b>	AEB 20-2.0I / AEB 20-2.0N XYZ561
<b>Charging time:</b>	20 V === / 36 Wh = approx. 45 min.
<b>Batteries of the type:</b>	20/40 V === 90 Wh / Li-ion
<b>Models:</b>	AEB 2040-2.5I / AEB 2040-2.5N XYZ562
<b>Charging time:</b>	20 V ===(×2)/ 90 Wh = approx. 95 min.
<b>Chargers of the type:</b>	21 V ===/ 4.0 A

**Models:** AEC 20-4.0Ia / AEC 20-4.0Ic / AEC 20-4.0Na  
XYZ563

Please note the technical specifications for the battery and the charger.

**Warning:** The stated vibration emission value was measured using a standardised test procedure.

The actual vibration emission value can differ from the stated value, depending on the kind of use. This can significantly increase the vibration load throughout operation.

The actual vibration emission value can differ from the stated value, depending on the kind of use.

The vibration level can be used for comparisons with other power tools.

It is also suited for a preliminary estimation of the vibration load.

For an exact estimation of the vibration load, you should also take into account the time during which the device is switched off, or is running but not actually being used. This can significantly decrease the vibration load throughout operation.

Establish additional safety measures to protect the operator from the impact of vibrations, for example: servicing power tools and insertion tools, keeping hands warm, carrying out work steps in an organised sequence.



Please observe the following: according to the German Machine Noise Protection Regulation from September 2002, this device may not be operated on Sundays and Bank holidays or working days from 8pm to 7am. Furthermore, it is forbidden to operate the machine at the following times of day: from 7 a.m. to 9 a.m., from 1 p.m. to 3 p.m. and from 5 p.m. to 8 p.m. Please do also consider any local regulations concerning noise protection!

Keep noise emissions and vibrations to a minimum!

- Only use perfectly functioning devices.
- Clean and service the device regularly.
- Adapt your way of working to the device.
- Do not overload the device.
- Have the device checked, if necessary.
- Switch the device off when it is not in use.
- Wear protective gloves.

# EC Declaration Of Conformity



We, **MOGATEC Moderne Gartentechnik GmbH, Im Grund 14 , 09430 Drebach, GERMANY**, declare under our sole responsibility that the **Cordless hedge trimmer FS-AHS 20**, to which this declaration relates correspond to the relevant basic safety and health requirements of Directives **2006/42/EC (EC Machinery directive)** **2014/30/EU (EMC directive)** **2000/14/EC + 2005/88/EC (noise directive)** **2011/65/EU + (EU)/2015/863 (RoHS directive)**

For the relevant implementation of the safety and health requirements mentioned in the Directives, the following standards and/or technical specification(s) have been respected:

**EN 62841-1:2015**

**EN 62841-4-2:2019**

**EN 55014-1:2017+A11:2020**

**EN 55014-2:2015**

**EN IEC 63000:2018**

Conformity assessment procedure according 2000/14/EC amended by 2005/88/EC to Annex V.

Measured sound power level 92,0 dB (A)  
Guaranteed sound power level 95 dB (A)

The year of manufacture is printed on the nameplate and can be additionally retrieved via the consecutive serial number.  
Drebach, 2021-11-24

A handwritten signature in black ink, appearing to read 'M. Fiedler', is placed below the date.

Matthias Fiedler  
Senior Product Manager  
MOGATEC Moderne Gartentechnik GmbH  
Maintenance of technical documentation:  
Matthias Fiedler, MOGATEC Moderne Gartentechnik GmbH, Im Grund 14, 09430 Drebach, GERMANY

## Disposal

### Disposing of packaging



Dispose of packaging according to type. Sort the paperboard and cardboard as waste paper and the film as recyclable material.

### Dispose of old electrical device



**Old electrical devices must not be disposed of as household waste!**

If the device cannot be used any more, each consumer **is obligated by law to dispose of old devices separately from household waste**,

e.g. at a municipal/city district collection point. It is thereby ensured

that old devices are professionally recycled and negative effects on the environment are avoided. Therefore, electrical devices are marked with the above symbol.



**Batteries and rechargeable batteries must not be discarded with domestic waste!**

As a consumer you are legally obliged to dispose of all batteries, irrespective of whether they contain harmful substances\* or not, at a collection point in your community/district or at a retail outlet, so that

they can be disposed of in an environmentally friendly manner. Batteries and rechargeable batteries must be disposed of separately from the device.

\* marked with: Cd = Cadmium, Hg = Mercury, Pb = Lead, Li = Lithium